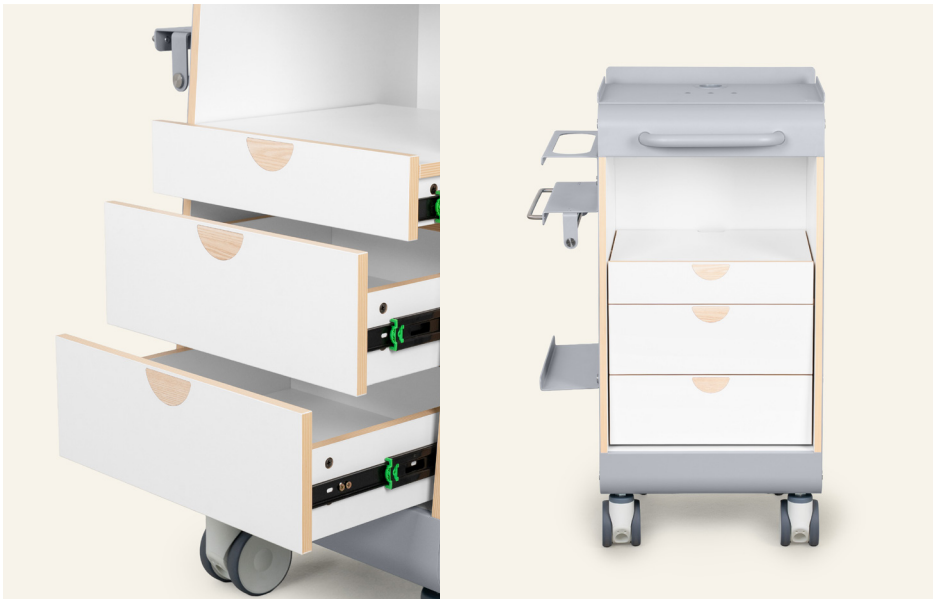
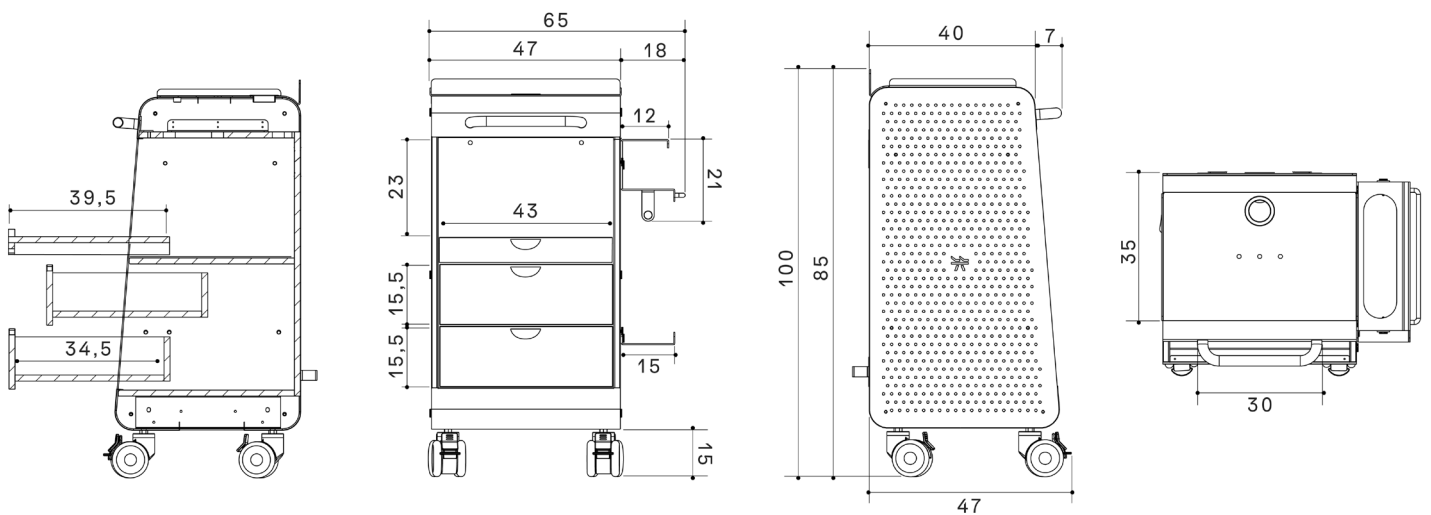


# Häp+



- BLUE.NGGA009
- GREEN.NGGA009
- RED.NGGA009
- GREY.NGGA009



## General Specifications

### DESCRIPTION

Premium ultra-solid design trolley conceived as a work auxiliary table or for placing high-end equipment.

Equipped with 4 wheels turning 360° and a front or rear handle to ensure complete mobility. Drawers and pull tray as practical storage space and sides with perforated metal panel to install various additional storage accessories. Smartly designed to organize the wiring of the devices. Made of painted iron and plywood with melamine sheet on the outer part.

### UPHOLSTERY

**Metal structure + plywood**

### DIMENSIONS

**100 x 47 x 47 cm**

### ACCESSORIES

**LIGHT.FIX.NGGA004**

**XL.TRAY.NGGA004.LIGHT-GREY**

### PACKAGING SIZE

**52 x 51 x 90 cm**

### N.W.KG

**50**

### G.W.KG

**55**

### DRAWERS

**Inside dimensions:  
38 x 34,5 x 13cm**

**Max load weight: 35kg**